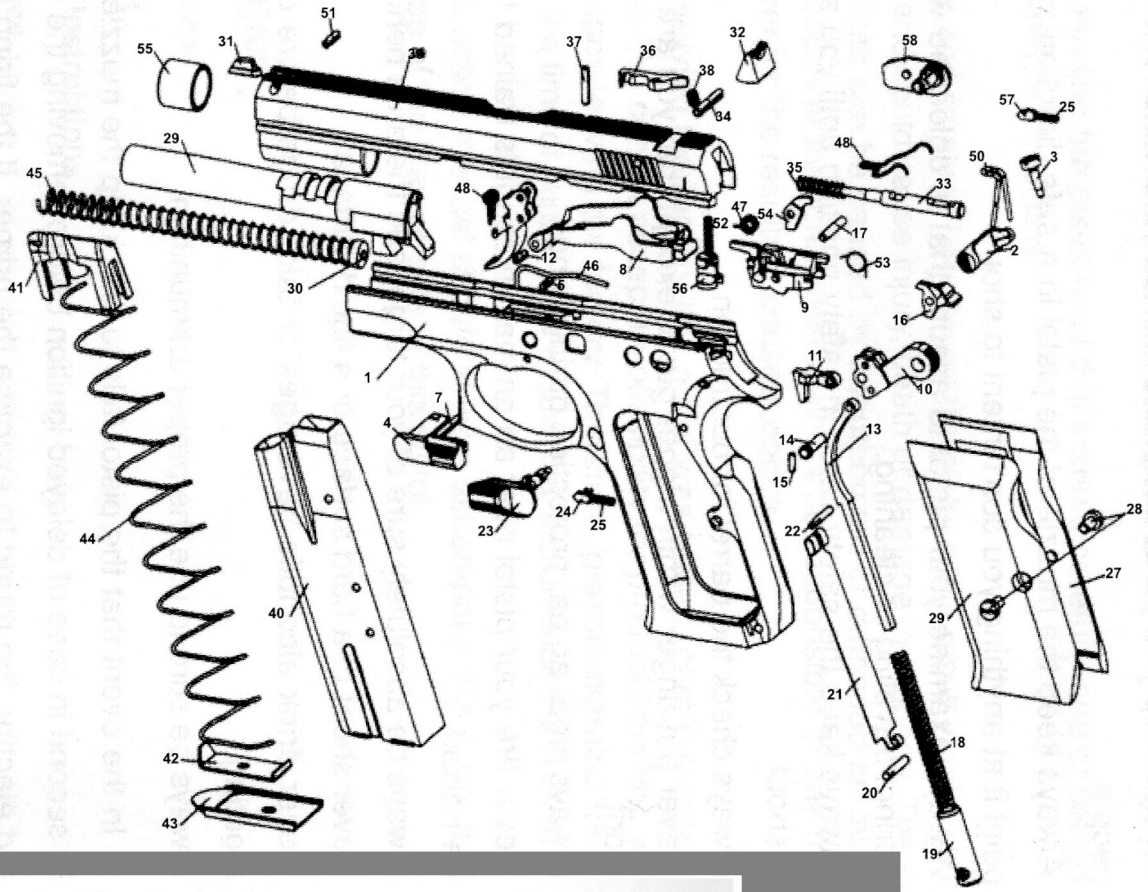


NZ85B



List of Parts

- | | |
|--------------------------------|----------------------------------|
| 1 Frame | 30 Recoil Spring Guide |
| 2 Magazine Catch | 31 Front Sight |
| 3 Screw-Catch Spring | 32 Rear Sight |
| 4 Slide Stop | 33 Firing Pin |
| 5 Pin-Slide Stop | 34 Firing Pin Roll Pin |
| 6 Trigger | 35 Firing Pin Spring |
| 7 Trigger Pin | 36 Extractor |
| 8 Disconnecter | 37 Extractor Pin |
| 9 Ejector | 38 Extractor Spring |
| 10 Hammer | 39 Slide |
| 11 Carrier Rod, Hammer | 40 Magazine Body |
| 12 Pin, Disconnecter | 41 Feeder |
| 13 Main Spring Strut | 42 Insert, Magazine |
| 14 Hammer Pin | 43 Magazine Base |
| 15 Pin | 44 Magazine Spring |
| 16 Sear | 45 Recoil Spring |
| 17 Sear Pin | 46 Spring-Slide Stop |
| 18 Main Spring | 47 Sear Spring |
| 19 Main Spring Plug | 48 Trigger Spring |
| 20 Main Spring Plug Pin | 49 Spring Disconnecter |
| 21 Flat Spring | 50 Spring-Magazine Catch |
| 22 Flat Spring Pin | 51 Front Sight Pin |
| 23 Left-Safety | 52 Firing Pin Block Stop Spring |
| 24 Left-Safety Confine Plunger | 53 Firing Pin Block Lever Spring |
| 25 Safety Plunger Spring | 54 Firing Pin Block Lever |
| 26 Left Grip Panel | 55 Barrel Sleeve |
| 27 Right Grip Panel | 56 Firing Pin Block Stop |
| 28 Grip Screw | 57 Right-Safety Confine Plunger |
| 29 Barrel | 58 Right Safety |

