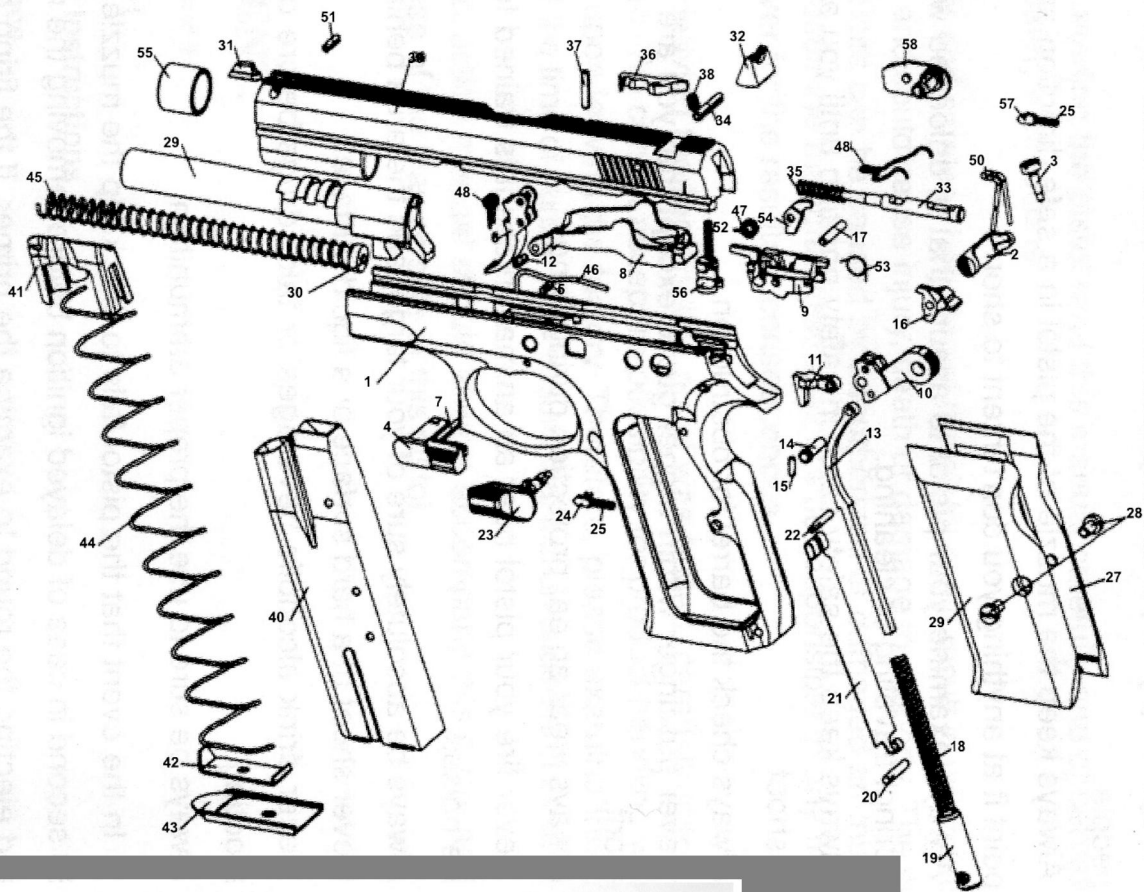


# NZ98 -NP40-



## List of Parts

- |                                |                                  |
|--------------------------------|----------------------------------|
| 1 Frame                        | 30 Recoil Spring Guide           |
| 2 Magazine Catch               | 31 Front Sight                   |
| 3 Screw-Catch Spring           | 32 Rear Sight                    |
| 4 Slide Stop                   | 33 Firing Pin                    |
| 5 Pin-Slide Stop               | 34 Firing Pin Roll Pin           |
| 6 Trigger                      | 35 Firing Pin Spring             |
| 7 Trigger Pin                  | 36 Extractor                     |
| 8 Disconnecter                 | 37 Extractor Pin                 |
| 9 Ejector                      | 38 Extractor Spring              |
| 10 Hammer                      | 39 Slide                         |
| 11 Carrier Rod, Hammer         | 40 Magazine Body                 |
| 12 Pin, Disconnecter           | 41 Feeder                        |
| 13 Main Spring Strut           | 42 Insert, Magazine              |
| 14 Hammer Pin                  | 43 Magazine Base                 |
| 15 Pin                         | 44 Magazine Spring               |
| 16 Sear                        | 45 Recoil Spring                 |
| 17 Sear Pin                    | 46 Spring-Slide Stop             |
| 18 Main Spring                 | 47 Sear Spring                   |
| 19 Main Spring Plug            | 48 Trigger Spring                |
| 20 Main Spring Plug Pin        | 49 Spring Disconnecter           |
| 21 Flat Spring                 | 50 Spring-Magazine Catch         |
| 22 Flat Spring Pin             | 51 Front Sight Pin               |
| 23 Left-Safety                 | 52 Firing Pin Block Stop Spring  |
| 24 Left-Safety Confine Plunger | 53 Firing Pin Block Lever Spring |
| 25 Safety Plunger Spring       | 54 Firing Pin Block Lever        |
| 26 Left Grip Panel             | 55 Barrel Sleeve                 |
| 27 Right Grip Panel            | 56 Firing Pin Block Stop         |
| 28 Grip Screw                  | 57 Right-Safety Confine Plunger  |
| 29 Barrel                      | 58 Right Safety                  |

