

Exploded View of the Model 77B

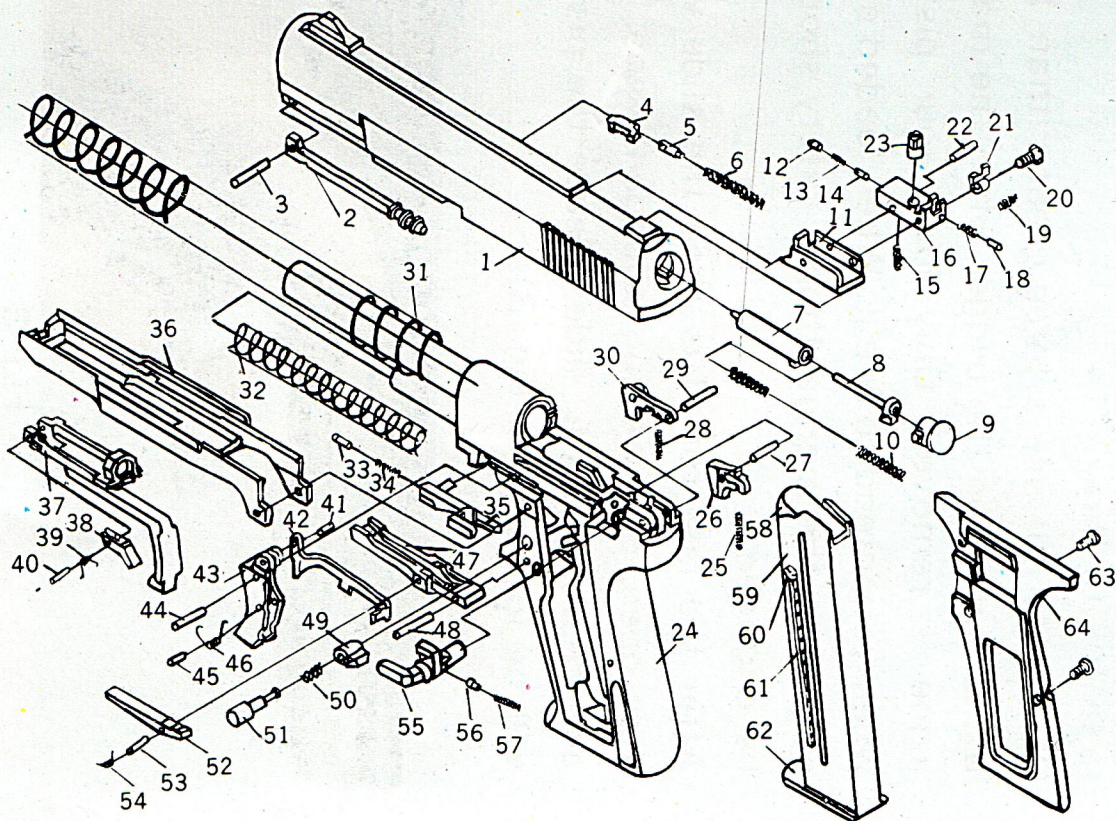


Fig. 5

Norinco 77B one-hand pistol

Action Retarded inertia action
 Caliber 9X19MM Parabellum
 Muzzle velocity Approx. 1150 FPS
 Muzzle energy Approx. 335 Ft. Pounds
 Mode of fire Semi-Auto

Capacity of magazine 9 rounds.

*** DIMENSIONS:**

Overall length 7.6"
 Height of pistol 5.9"
 Width of pistol 1.4"
 Length of barrel 5"

*** WEIGHTS:**

Pistol with empty magazine 2.2 lbs
 Pistol without magazine 2.1 lbs

*** PARTS LIST (See Fig. 5)**

1. Slide 2. Piston 3. Piston pin
 4. Extractor 5. Extractor push rod
 6. Extractor spring 7. Firing pin
 8. Firing pin spring rod 9. Rear plunger
 10. Firing pin spring
 11. Rear sight frame
 12. 14. 18. Sight setting push rod
 13. 17. Sight setting spring
 15. Body spring 16. Rear sight body
 19. Rear sight spring
 20. Adjusting screw 21. Notch base
 22. Sight body pin 23. Elevation screw
 24. Receiver with barrel 25. Sear spring
 26. Sear 27. Sear pin

28. Disconnecter spring
 29. Disconnecter pin
 30. Disconnecter 31. Recoil spring
 32. Loading handle spring
 33. Slide retainer push rod
 34. Slide retainer spring
 35. Slide retainer
 36. Loading handle support
 37. Loading handle
 38. Loading handle catch block
 39. Catch block spring
 40. Catch block pin 41. Trigger lever pin
 42. Trigger lever 43. Trigger
 44. Trigger pin 45. Trigger spring pin
 46. Trigger spring 47. Guard
 48. Guard pin 49. Magazine catch
 50. Magazine catch spring
 51. Magazine catch pin 52. Guard lever
 53. Guard lever pin
 54. Guard lever spring
 55. Safety catch 56. Safety push rod
 57. Safety spring
 58. Magazine follower
 59. Magazine body
 60. Magazine inserter
 61. Magazine spring 62. Magazine base
 63. Grip screw
 64. Right grip plate